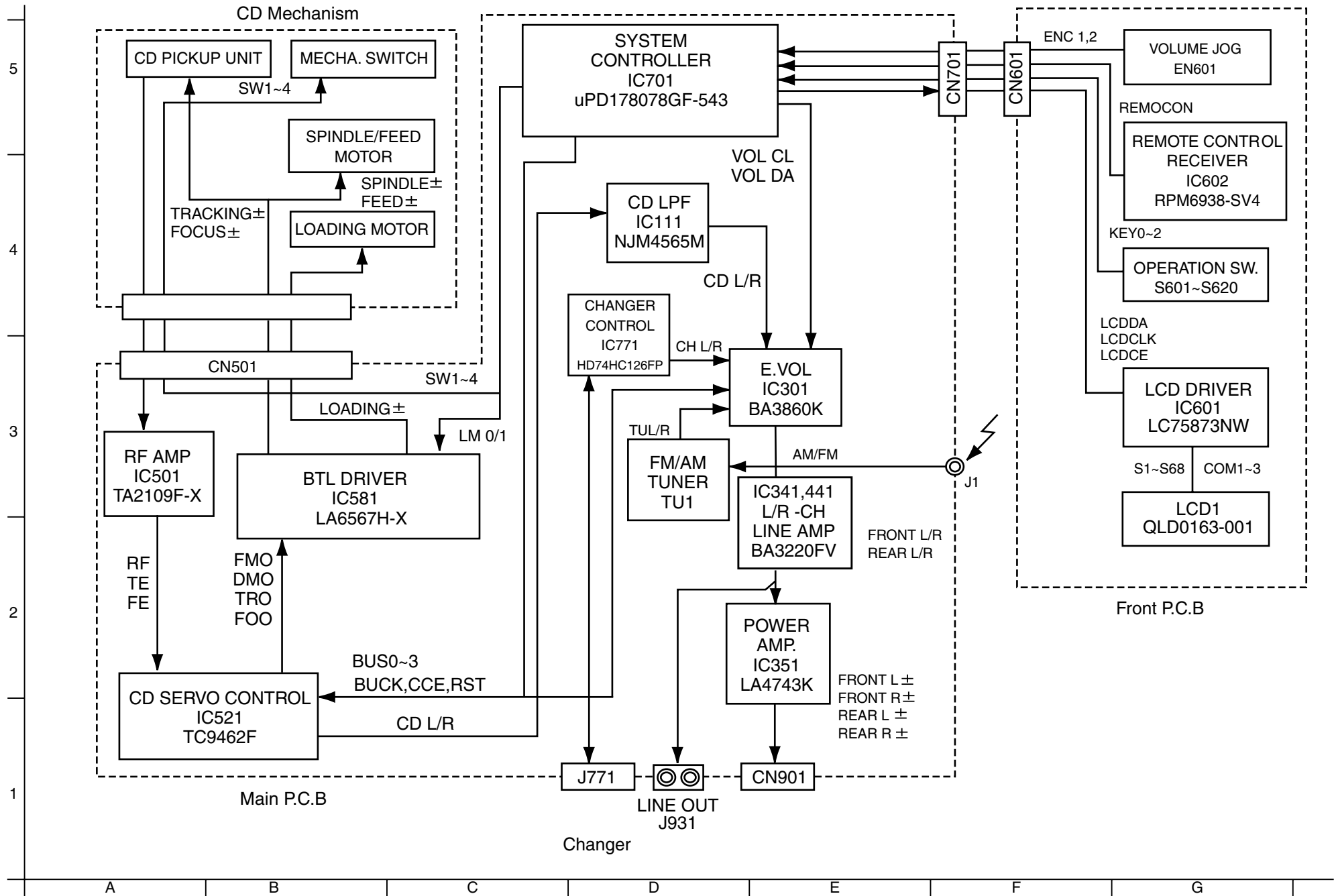


Block Diagram

KD-SX870
KD-SX770



KD-SX870
KD-SX770

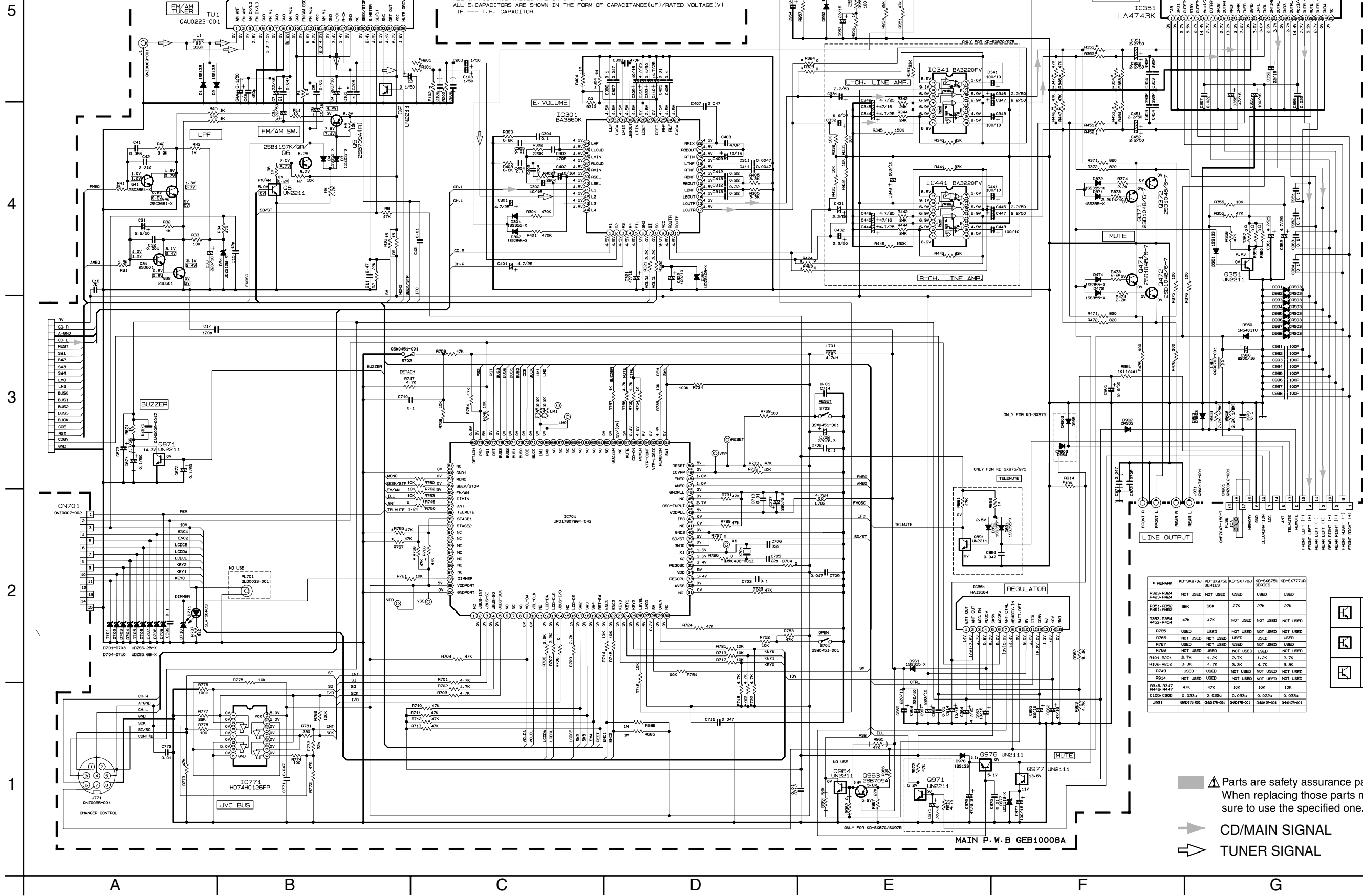
< MEMO >

Standard schematic diagrams

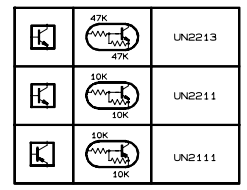
KD-SX870
KD-SX770

Receiver & power amplifier circuit

- NOTES
1. VOLTAGES ARE DC-MEASURED WITH A DIGITAL VOLT METER WITHOUT INPUT SIGNAL CONDITION—FM MODE. □ AM MODE. () IC MODE.
 2. UNLESS OTHERWISE SPECIFIED, ALL RESISTORS ARE 1/10W 45% METAL GLAZE RESISTOR. ALL CAPACITORS ARE 50V OR 25V CERAMIC CAPACITOR. ALL RESISTANCE VALUES ARE IN OHM. ALL CAPACITANCE VALUES ARE IN UF(P=PF) ALL E. CAPACITORS ARE SHOWN IN THE FORM OF CAPACITANCE(UF)/RATED VOLTAGE(V) TF — T.F. CAPACITOR



* REMARK	KD-SX870J	KD-SX770J	KD-SX870J	KD-SX770J
R323-R324	NOT USED	NOT USED	USED	USED
R423-R424	NOT USED	NOT USED	USED	USED
R301-R302	68K	68K	27K	27K
R303-R304	47K	47K	NOT USED	NOT USED
R403-R404	47K	47K	NOT USED	NOT USED
R705	USED	USED	NOT USED	NOT USED
R706	NOT USED	NOT USED	USED	USED
R707	USED	NOT USED	USED	USED
R708	NOT USED	NOT USED	USED	USED
R101-R102	2.7K	1.8K	2.7K	1.8K
R103-R104	3.3K	4.7K	3.3K	4.7K
R749	USED	USED	NOT USED	NOT USED
R914	NOT USED	USED	NOT USED	NOT USED
R308-R309	47K	47K	10K	10K
R446-R447	47K	47K	10K	10K
C105-C106	0.033u	0.022u	0.033u	0.022u
J931	09N179-01	09N179-01	09N179-01	09N179-01



- ▲ Parts are safety assurance parts. When replacing those parts make sure to use the specified one.
- ➡ CD/MAIN SIGNAL
- ➡ TUNER SIGNAL

■ Main circuit

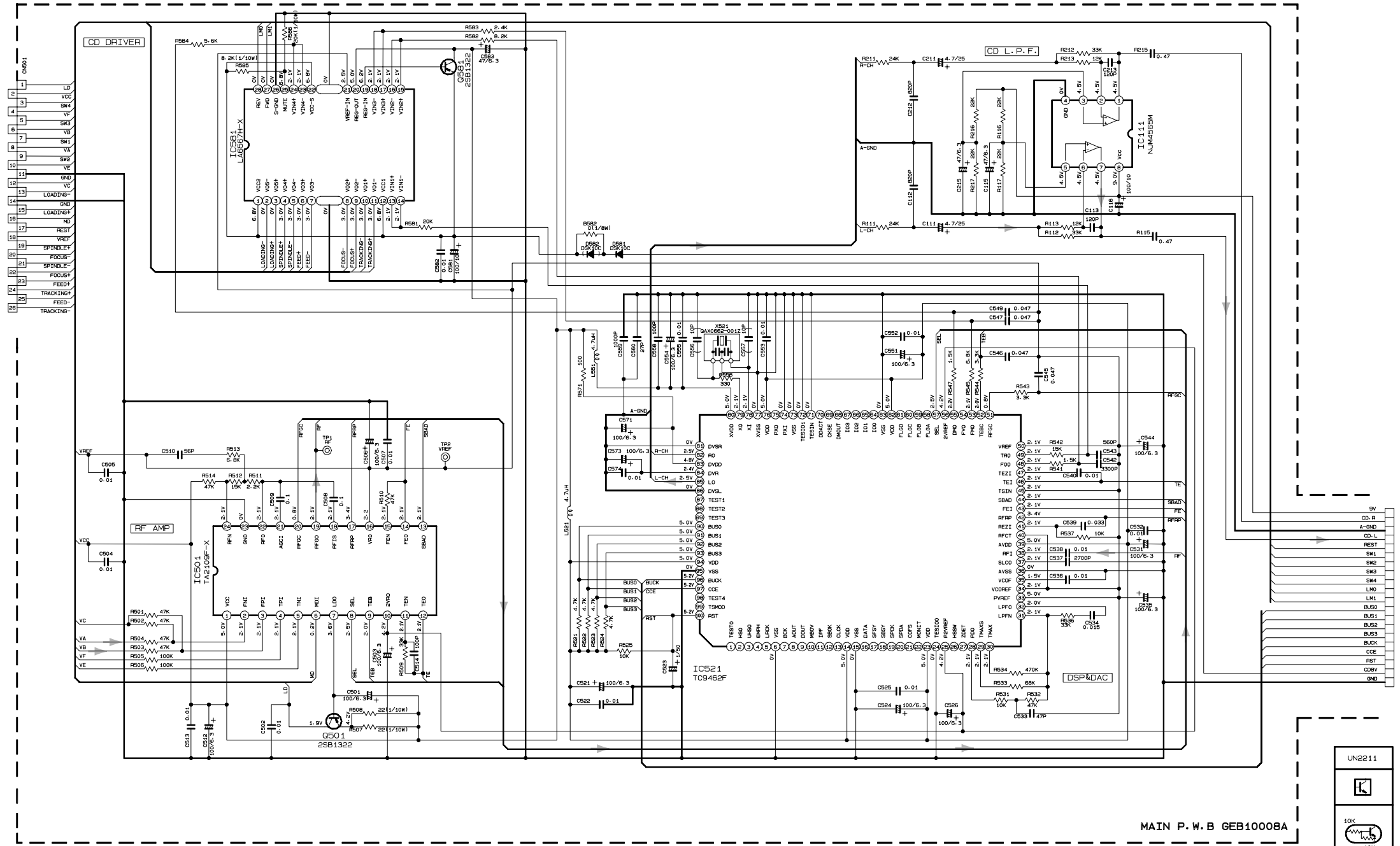
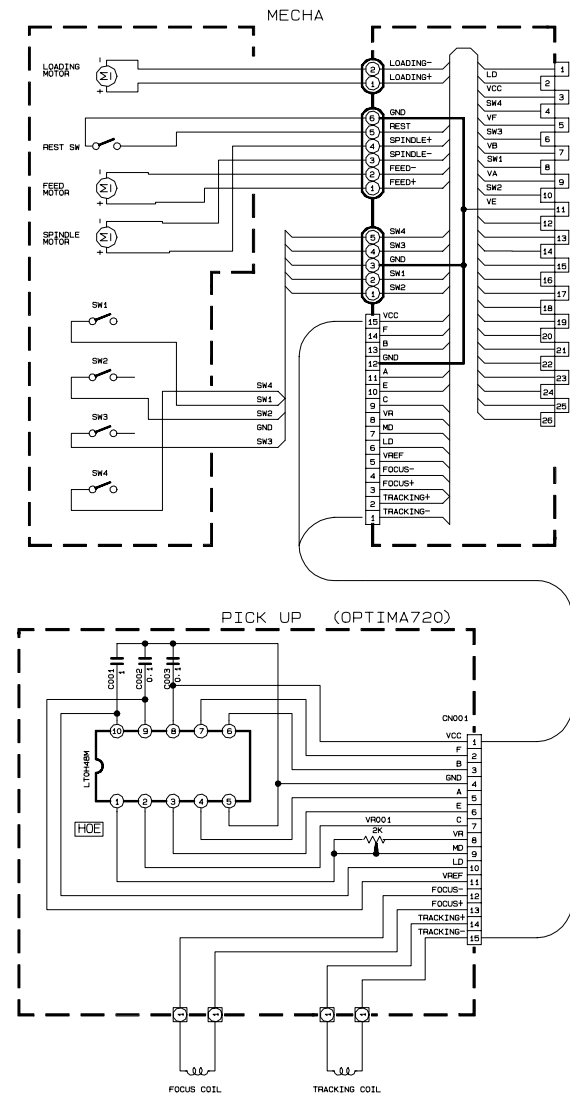
5

4

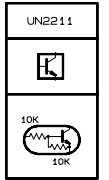
3

2

1



MAIN P.W.B GEB1000BA



- NOTES
- VOLTAGES ARE DC-MEASURED WITH A DIGITAL VOLT METER WITHOUT INPUT SIGNAL CONDITION—CD MODE.
 - UNLESS OTHERWISE SPECIFIED, ALL RESISTORS ARE 1/10W ±5% METAL GLAZE RESISTOR. ALL CAPACITORS ARE 50V OR 25V OR 16V CERAMIC CAPACITOR. ALL RESISTANCE VALUES ARE IN OHM. ALL CAPACITANCE VALUES ARE IN μF(P=PF). ALL E. CAPACITORS ARE SHOWN IN THE FORM OF CAPACITANCE(μF)/RATED VOLTAGE(V). T --- T. S. E. CAPACITOR.

➔ CD/MAIN SIGNAL

A B C D E F G

■ LCD driver & Operation switch circuit

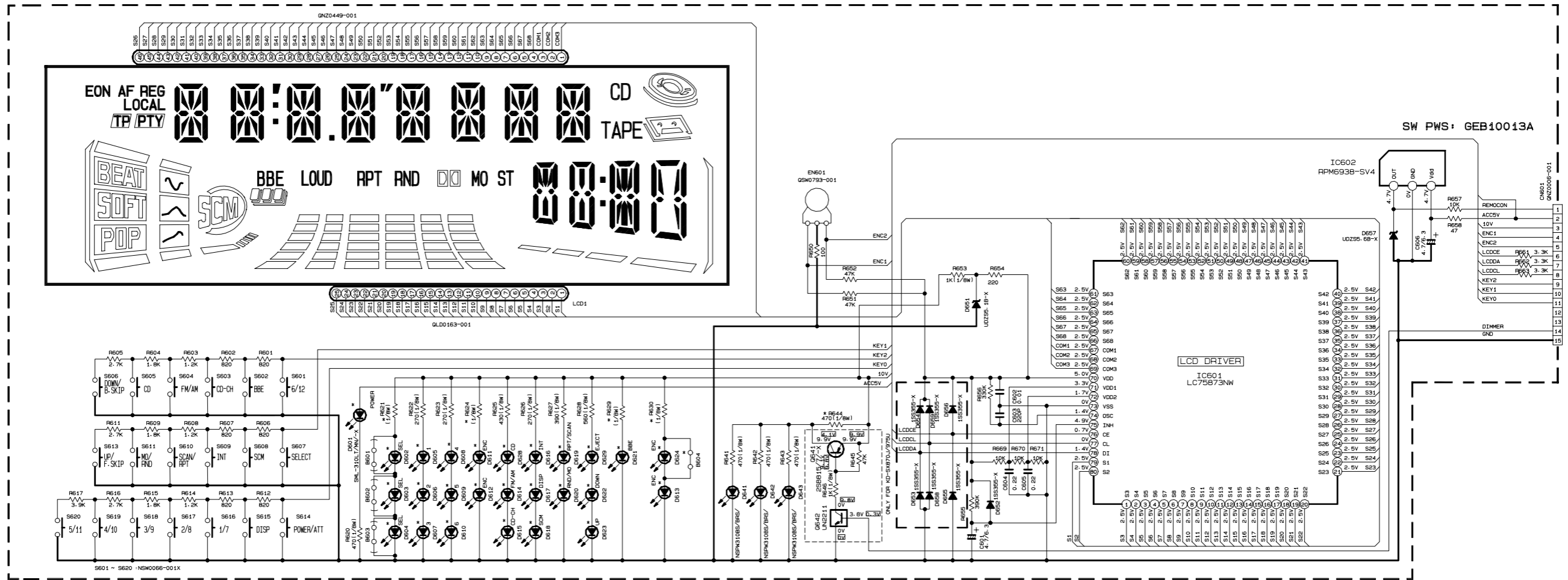
5

4

3

2

1



NOTE:
LNJ308681/1-3/-X --- GREEN LED
CL-190UB-X-X --- BLUE LED
EL-19-21UBC/-X --- BLUE LED
SML-310LT/ML/-X --- RED LED (POWER)
SML-310VT/TK/-X --- RED LED (OTHERS)
SML-310YT/KL/-X --- YELLOW LED
SML-3100T/KL/-X --- AMBER LED

*REMARK	KD-SX870J	KD-SX975U SERIES	KD-SX770J	KD-SX875U SERIES	KD-SX777UR
D601	SML-310LT/ML/-X	SML-310LT/ML/-X	SML-310LT/ML/-X	SML-310LT/ML/-X	SML-310LT/ML/-X
D602-D604	SML-310VT/TK/-X	SML-310VT/TK/-X	LNJ308681/1-3/-X	LNJ308681/1-3/-X	LNJ308681/1-3/-X
D605-D610	LNJ308681/1-3/-X	LNJ308681/1-3/-X	LNJ308681/1-3/-X	LNJ308681/1-3/-X	LNJ308681/1-3/-X
D614-D618	LNJ308681/1-3/-X	LNJ308681/1-3/-X	LNJ308681/1-3/-X	LNJ308681/1-3/-X	LNJ308681/1-3/-X
D622-D623	LNJ308681/1-3/-X	LNJ308681/1-3/-X	LNJ308681/1-3/-X	LNJ308681/1-3/-X	LNJ308681/1-3/-X
D628-D629	LNJ308681/1-3/-X	LNJ308681/1-3/-X	LNJ308681/1-3/-X	LNJ308681/1-3/-X	LNJ308681/1-3/-X
D611-D612	NOT USED	NOT USED	LNJ308681/1-3/-X	LNJ308681/1-3/-X	LNJ308681/1-3/-X
D619-D620	LNJ308681/1-3/-X	SML-310YT/KL/-X	LNJ308681/1-3/-X	SML-310YT/KL/-X	LNJ308681/1-3/-X
D621	EL-19-21UBC/-X	SML-3100T/KL/-X	SML-3100T/KL/-X	SML-3100T/KL/-X	SML-3100T/KL/-X
D624	EL-19-21UBC/-X	CL-190UB-X-X	NO USED	NO USED	NO USED
D613	EL-19-21UBC/-X	CL-190UB-X-X	LNJ308681/1-3/-X	LNJ308681/1-3/-X	LNJ308681/1-3/-X
B604	NOT USED	NOT USED	USED	USED	USED
R621	680	680	270	270	270
R624	NOT USED	NOT USED	390	390	390
R629	2.2K	510	510	510	510
R630	820	820	510	510	510
R644	470	470	0	0	0

FOR JEIN SWITCH BOARD MODEL

MODEL	SWITCH BOARD
KD-SX870J	OPEN-SWPCB-1
KD-SX770J	OPEN-SWPCB-2
KD-SX975U SERIES	OPEN-SWPCB-7
KD-SX875U SERIES	OPEN-SWPCB-8

A

B

C

D

E

F

G

Printed circuit boards

KD-SX870
KD-SX770

KD-SX870
KD-SX770

5

■ Main board
(Forward side)

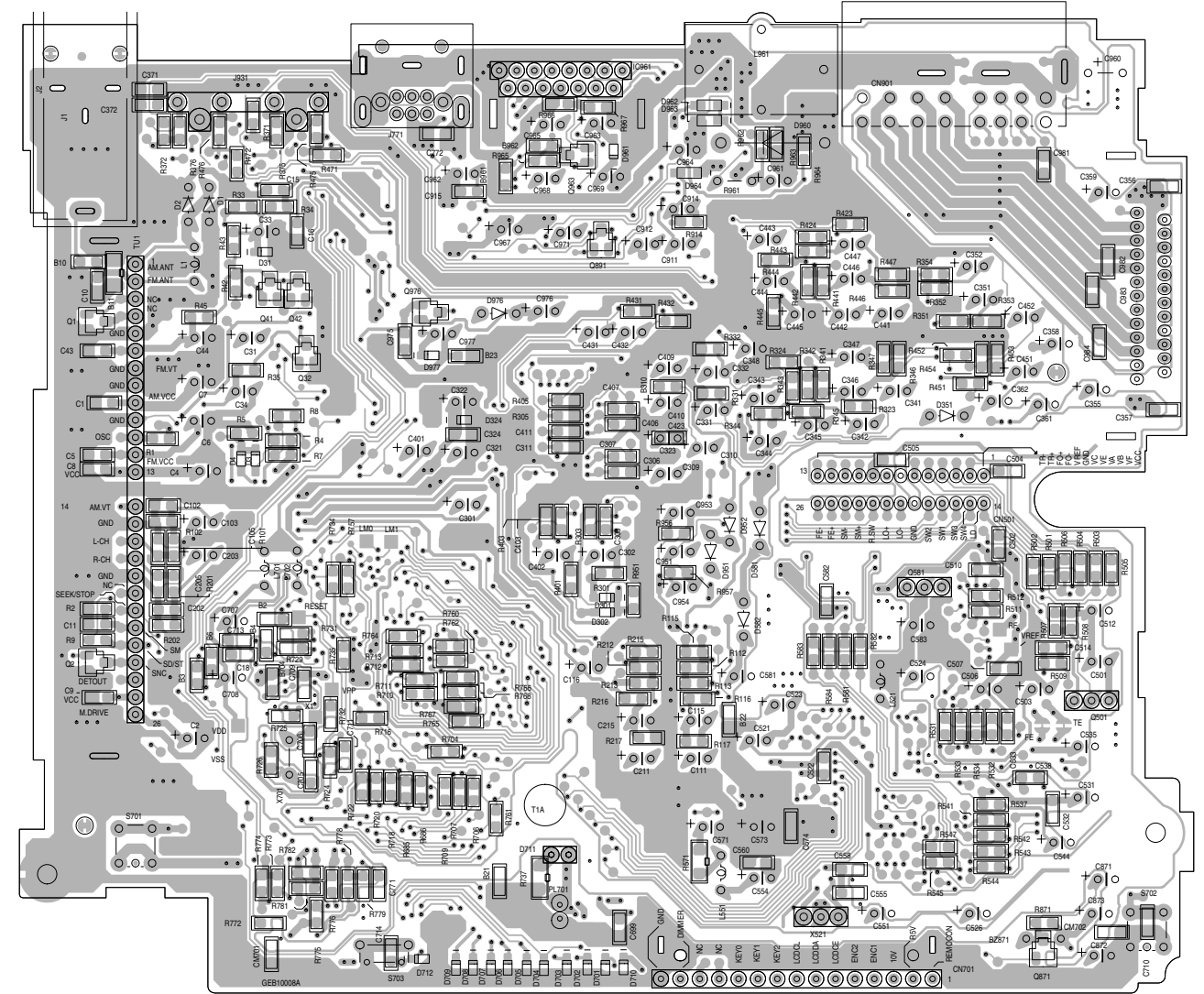
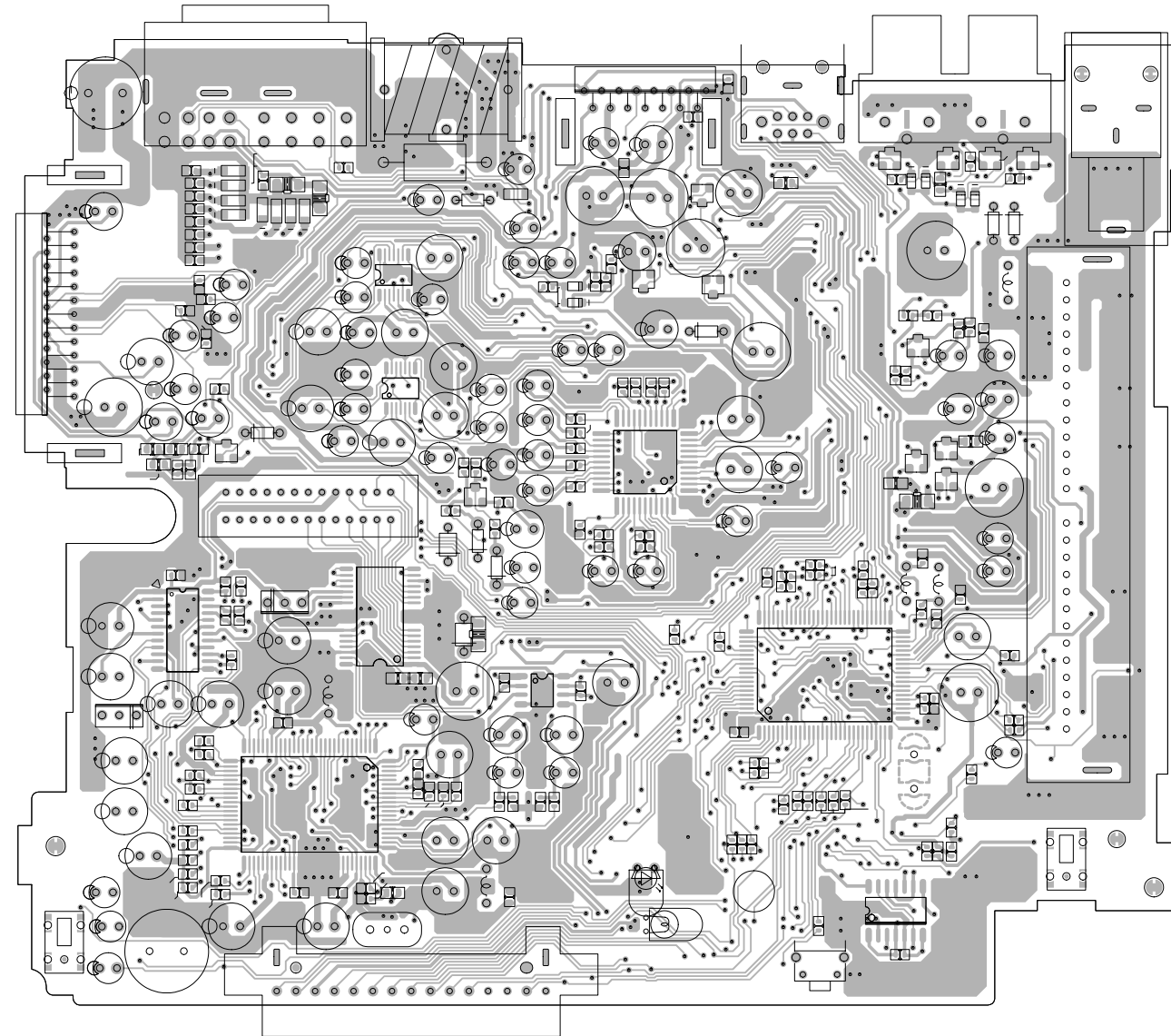
■ Main board
(Reverse side)

4

3

2

1



A

B

C

D

E

F

G

